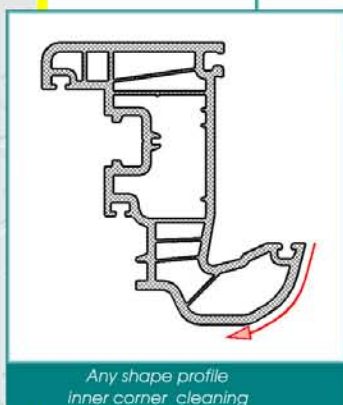


We want to grow with you

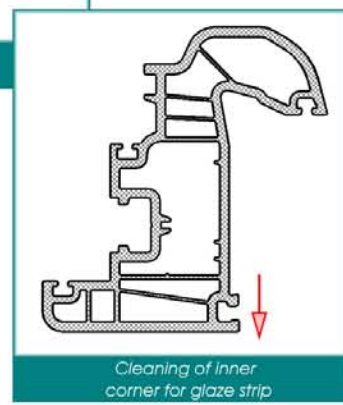
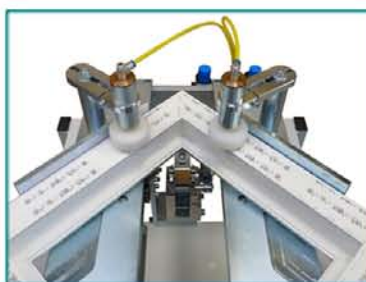


Cleaning of inner corners  
radia and slants

# COMBI RADIUS



Inner corners cleaning facility COMBI RADIUS



- Effective, cut-rate and superior inner corners radia and slants PVC profile cleaning.
- Cleaning of inner corners for glaze strips.
- All types profil systems using.
- Automatic cleaning after weld piece loading and cycle starting.
- Simple foot control.
- Efficient accessory to each automatic cleaning machine.

#### Machines for machining of ALU, Fe and PVC profiles

ALUMA ČS s. r. o. • ul. A. Dubčeka 291 • SK - 013 03 Krasňany, okr. Žilina • tel.: +421-0/41-569 26 79 • fax: +421-0/41-569 26 78  
E-mail: [alumacs@alumacs.eu](mailto:alumacs@alumacs.eu) • Internet: [www.alumacs.sk](http://www.alumacs.sk)